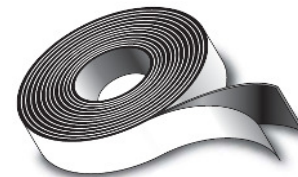
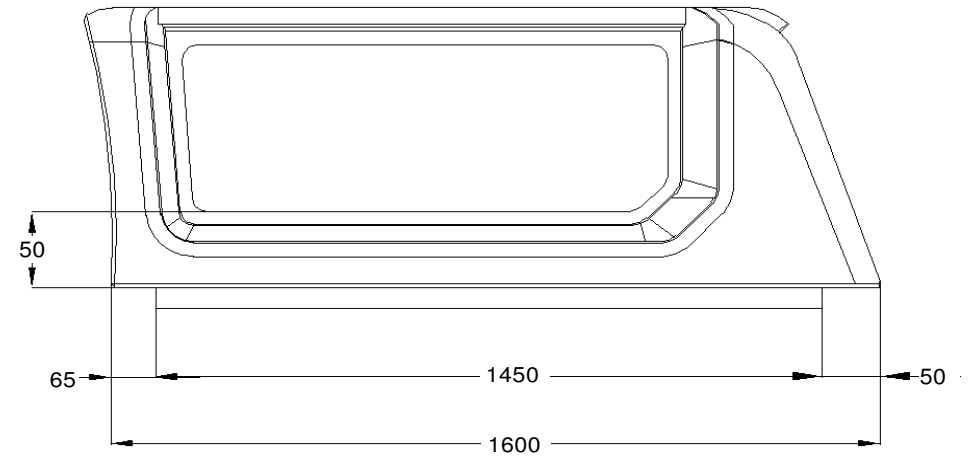
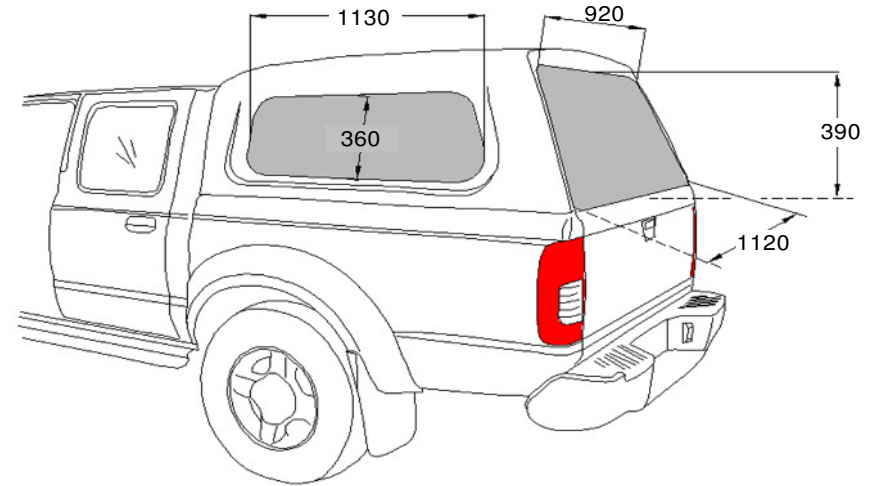


Net weight: 68,00 kg
 Gross weight: 97,00 kg
 Volume: 0 m³



7 X 30 X 10000 A/60/PT3 PE-L - 0,5 szt