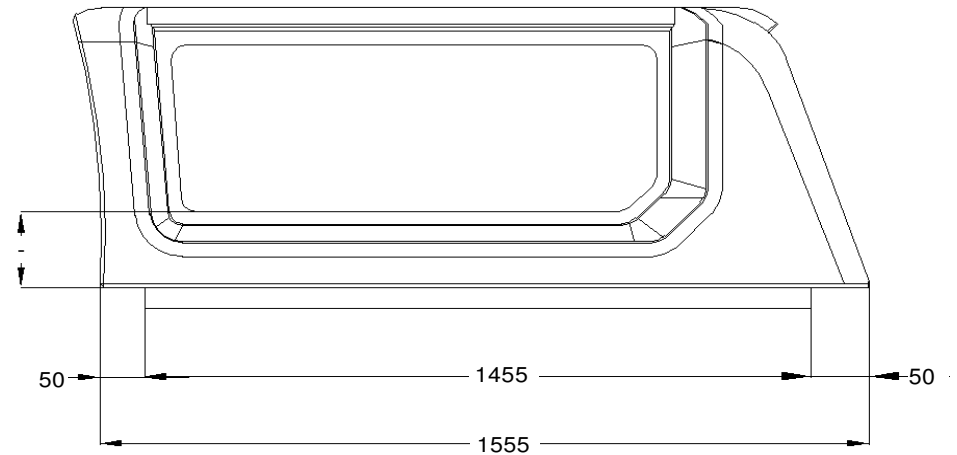
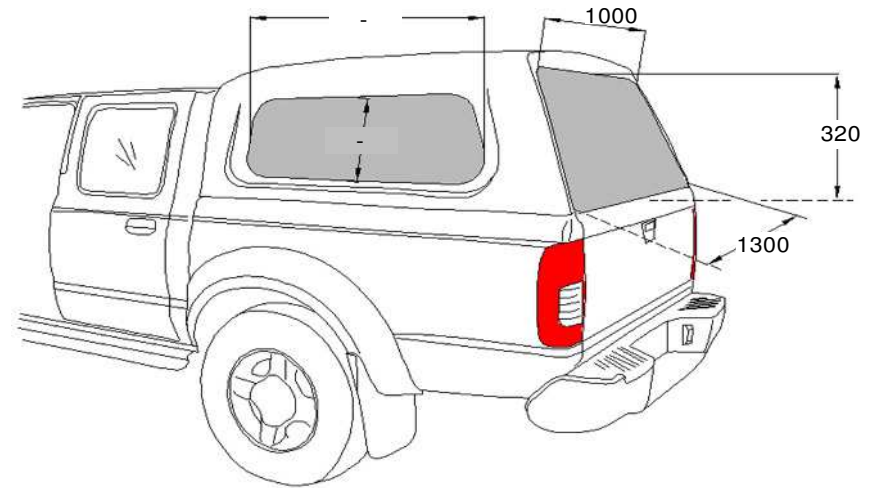
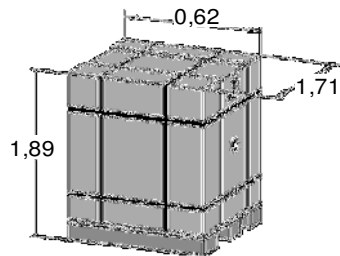
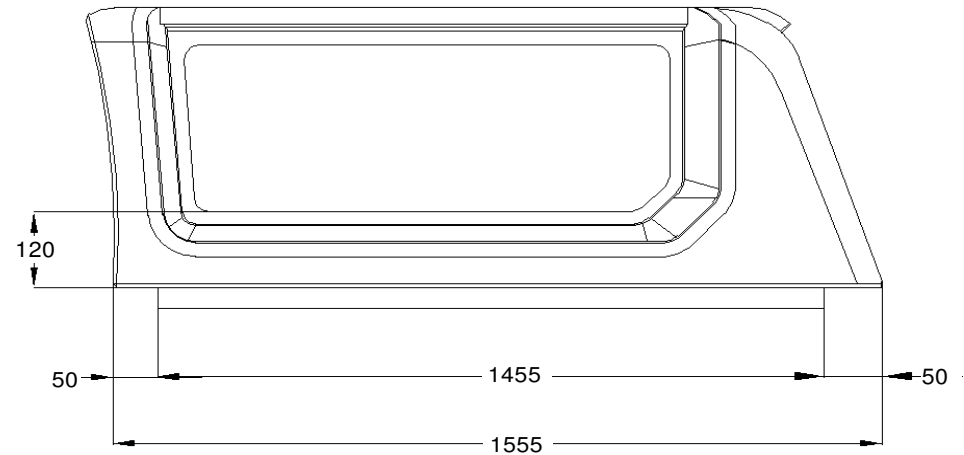
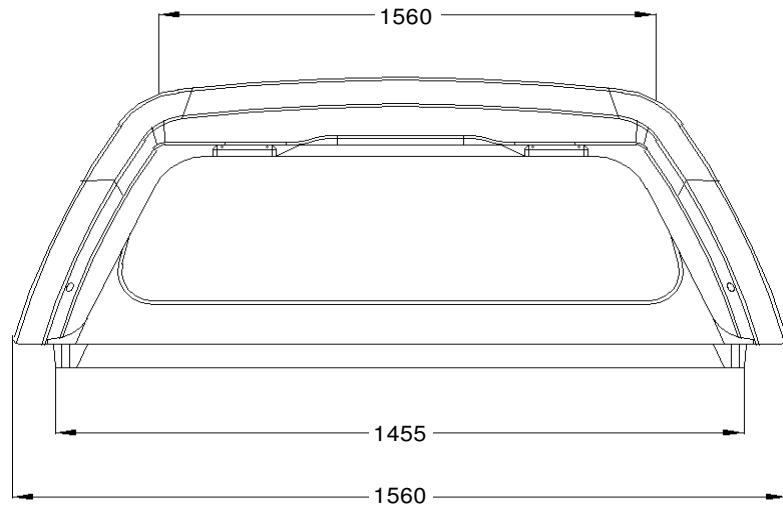
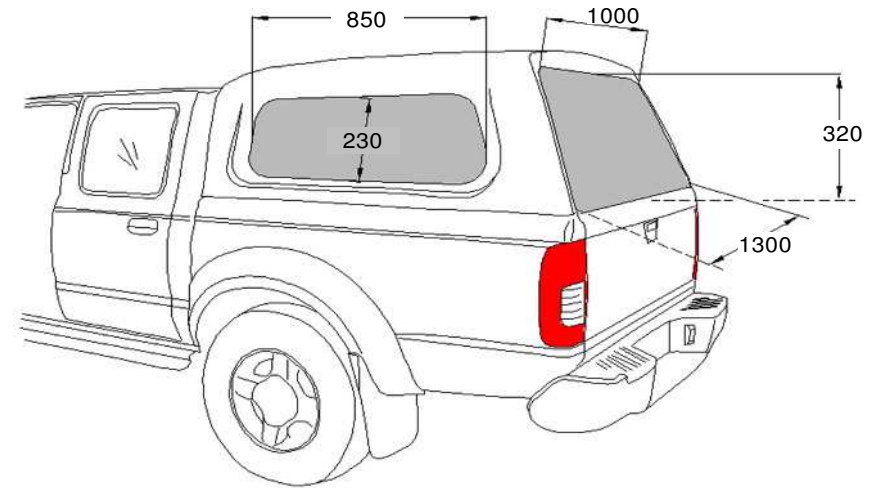
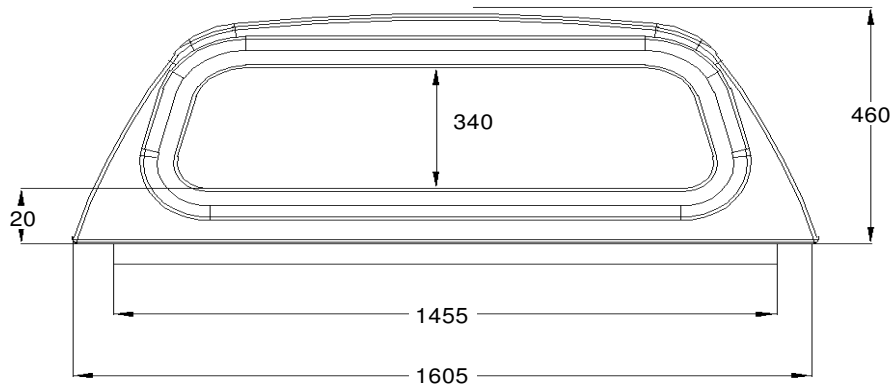


Net weight: 52,00 kg
 Gross weight: 62,00 kg
 Volume: 0 m3



7 X 30 X 10000 A/60/PT3 PE-L - 0,33 szt



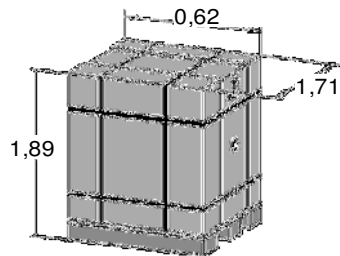
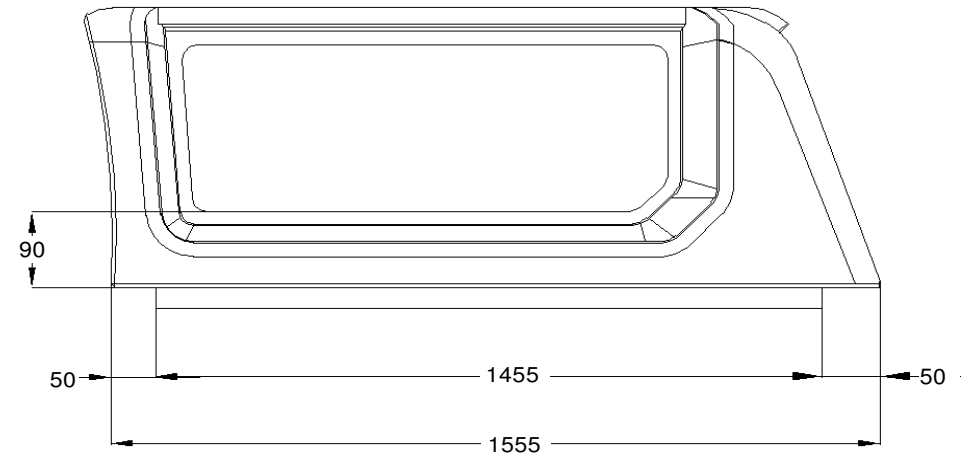
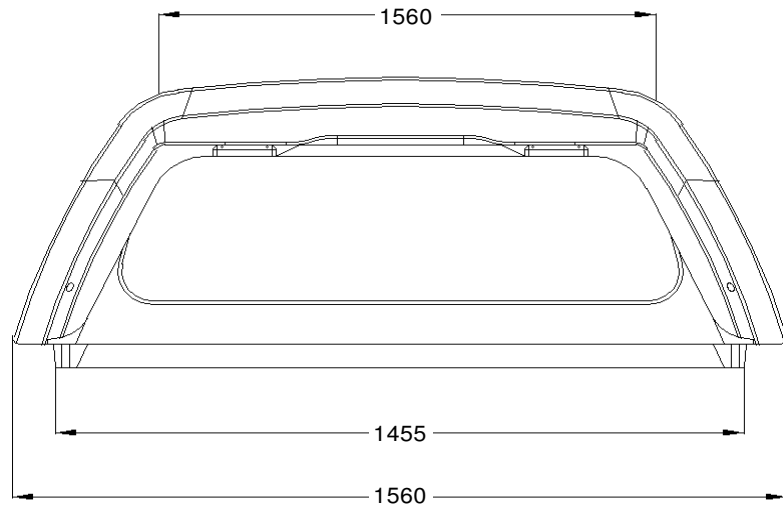
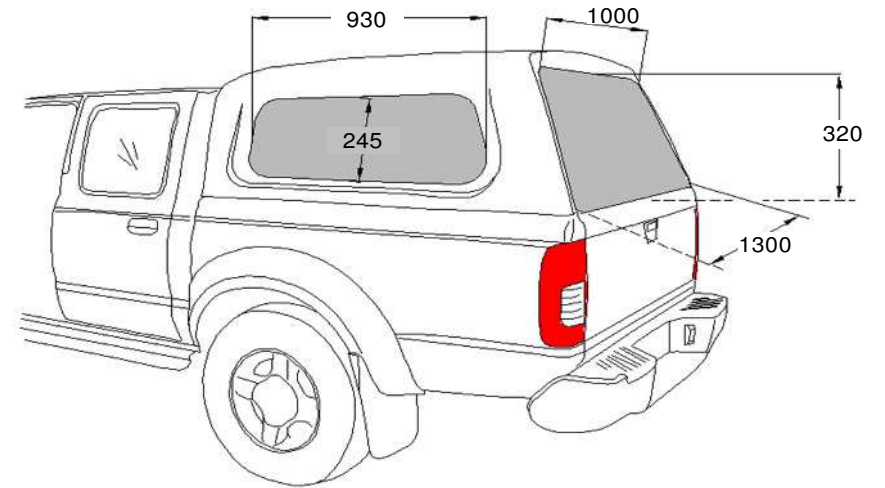
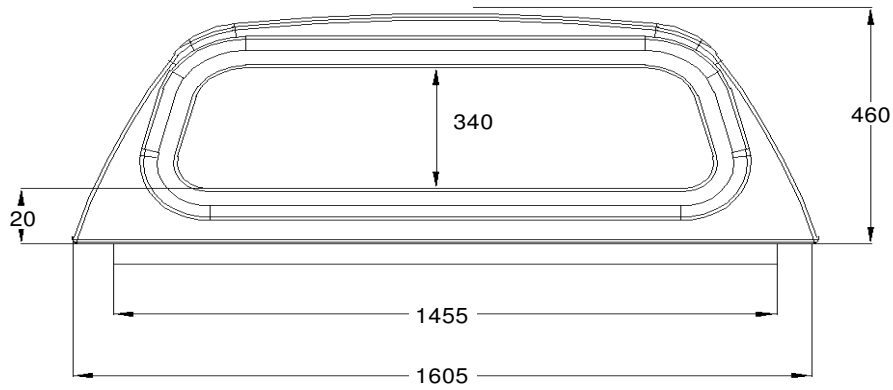
Net weight: 60,00 kg
 Gross weight: 72,00 kg
 Volume: 0 m3



7 X 30 X 10000 A/60/PT3 PE-L - 0,33 szt

MI DC RH04 IE FS2 LAK - 1900853

Wymiary nadbudowy samochodowej - Dimensions of hardtop



Net weight: 60,00 kg
 Gross weight: 72,00 kg
 Volume: 0 m3



7 X 30 X 10000 A/60/PT3 PE-L - 0,33 szt